

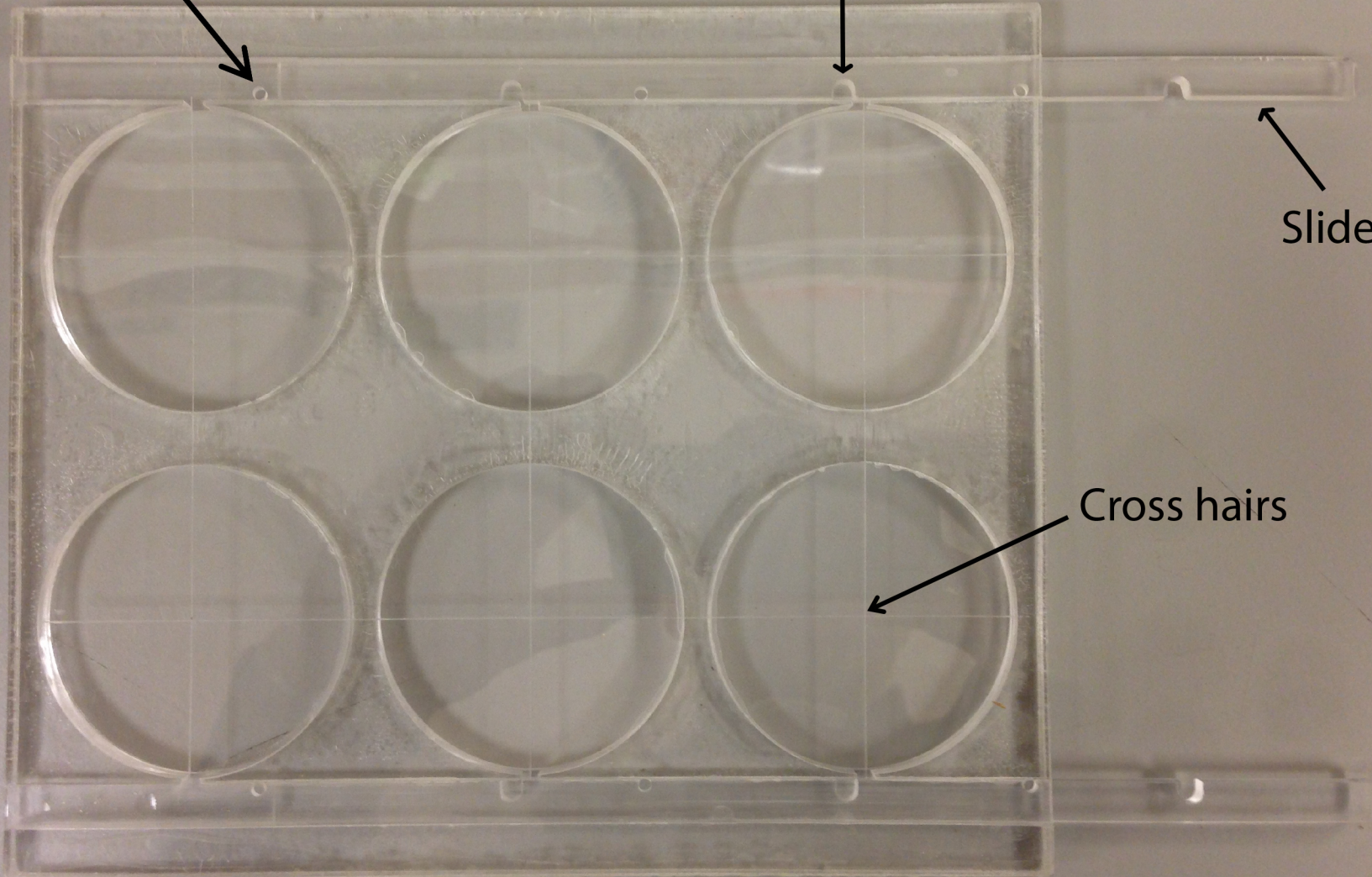
Testing Plate -- Top View With Sliders

Loading Hole

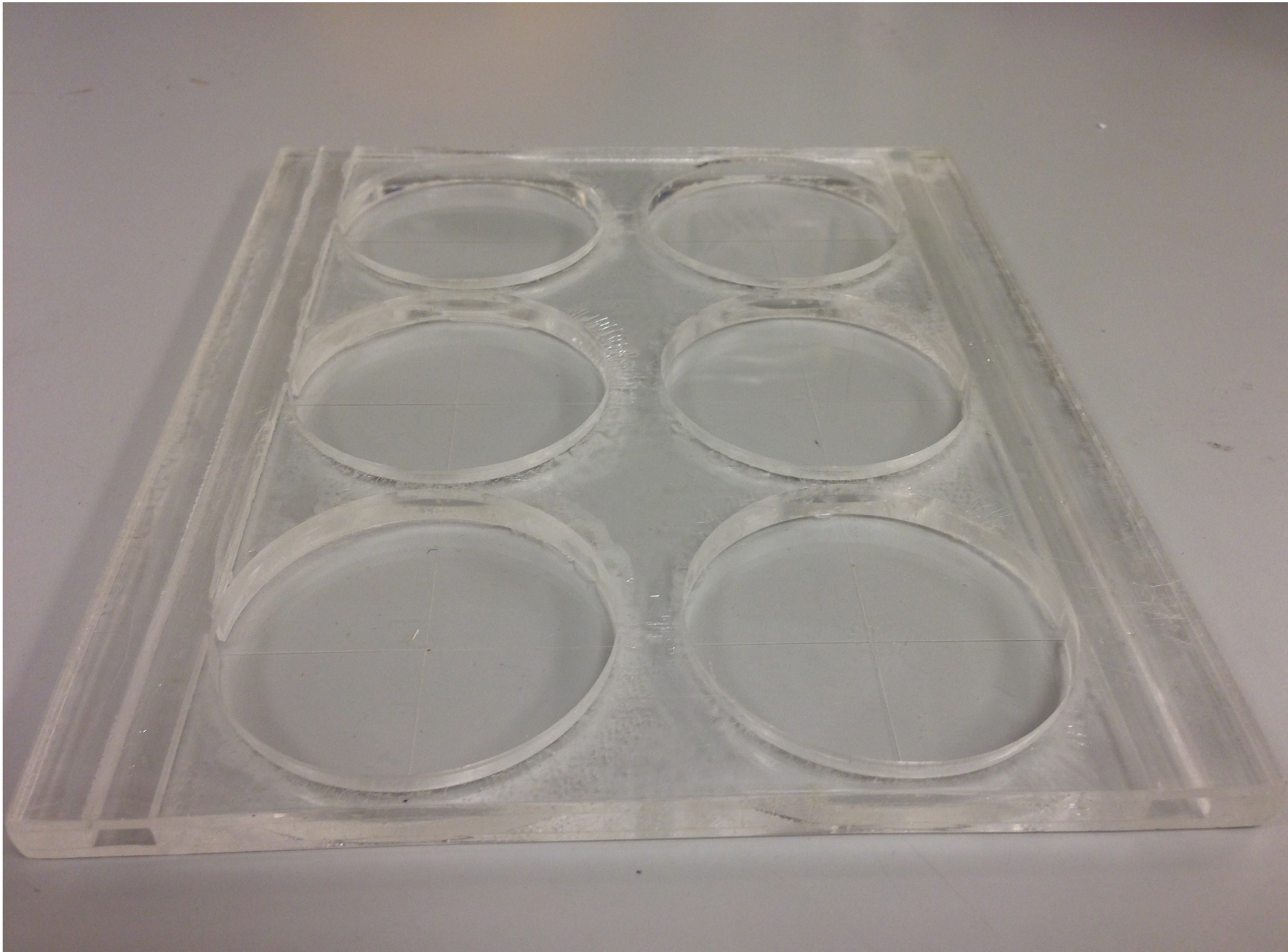
Holding chamber

Slider

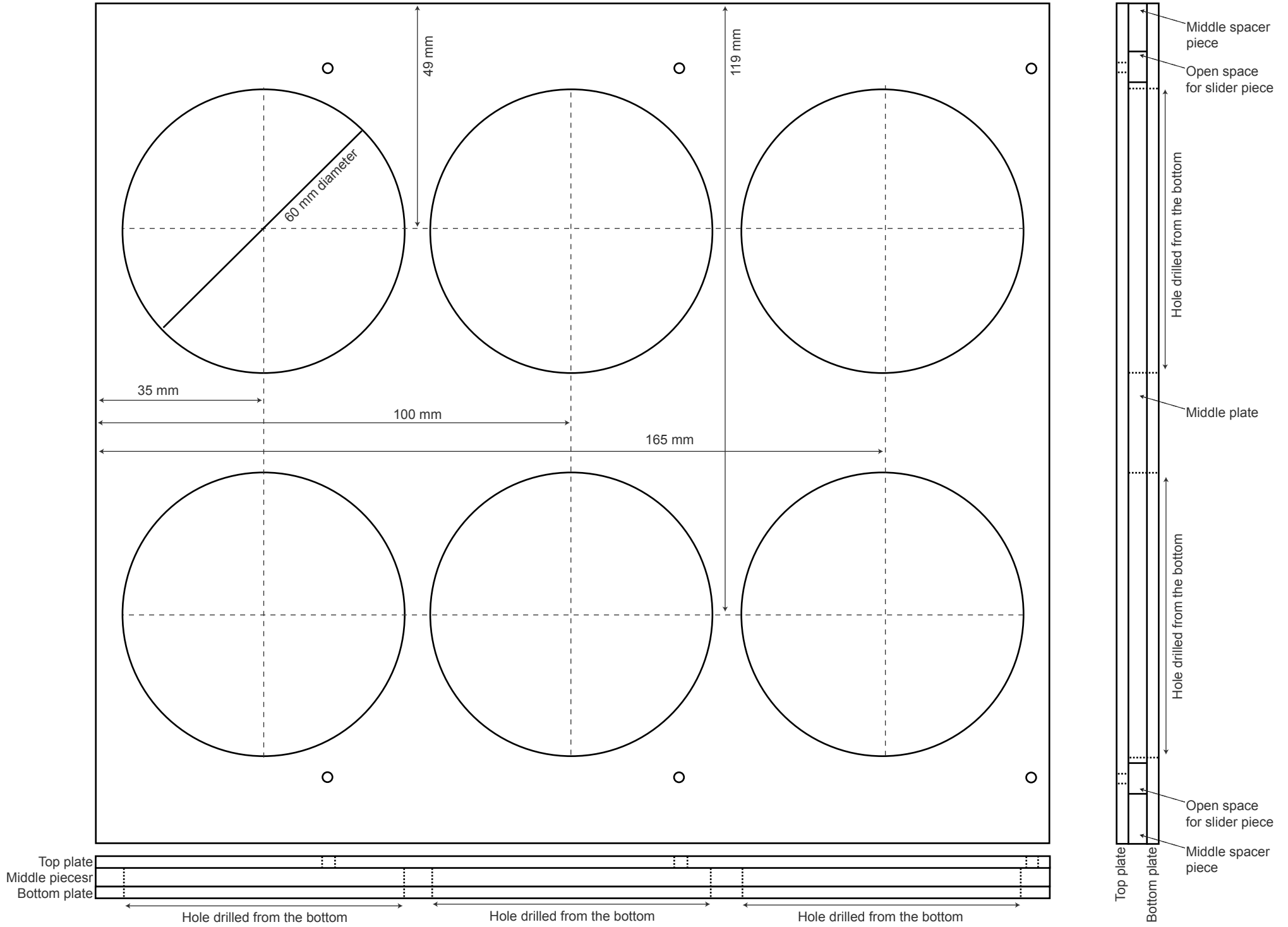
Cross hairs



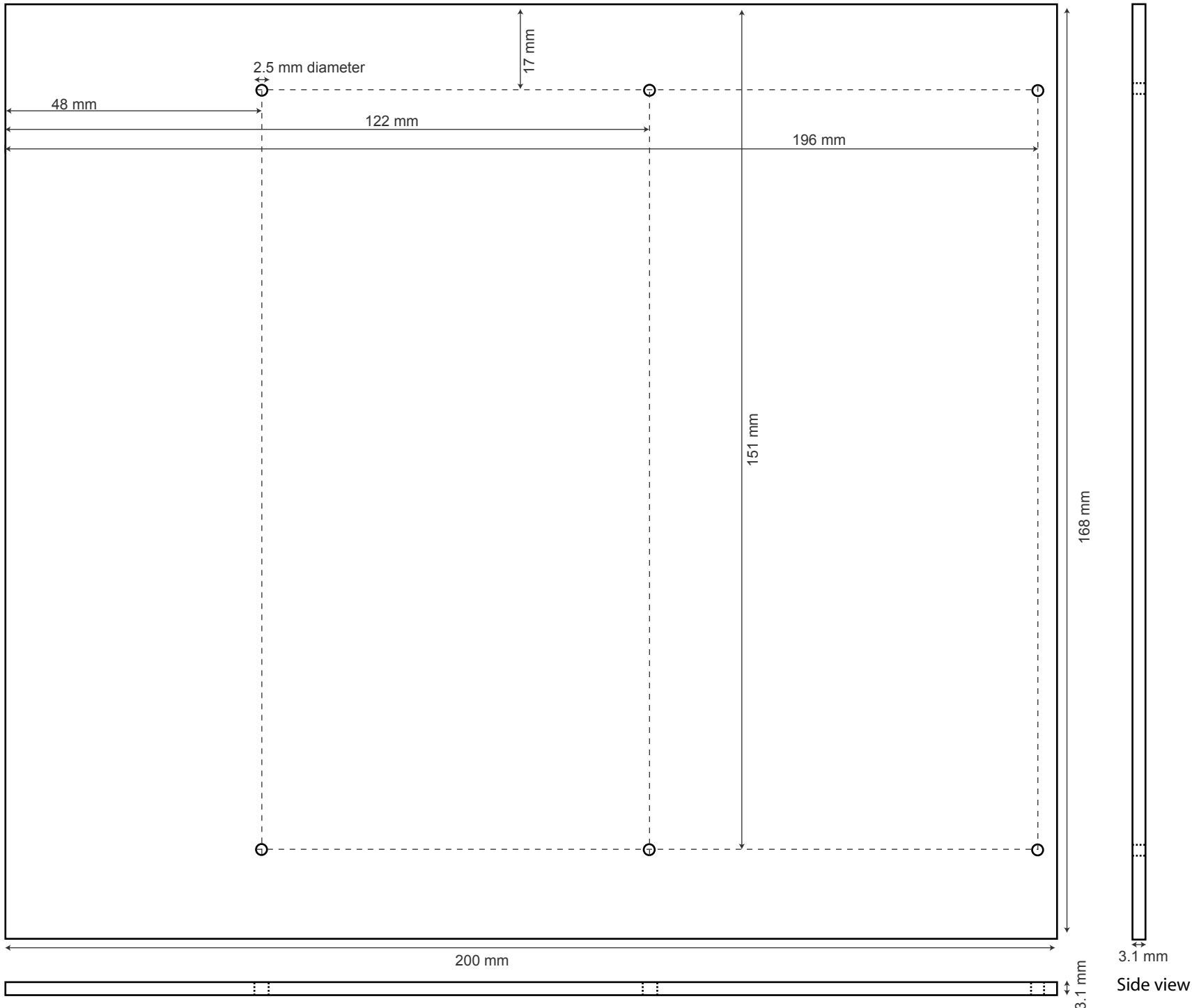
Testing Plate--Isometric View



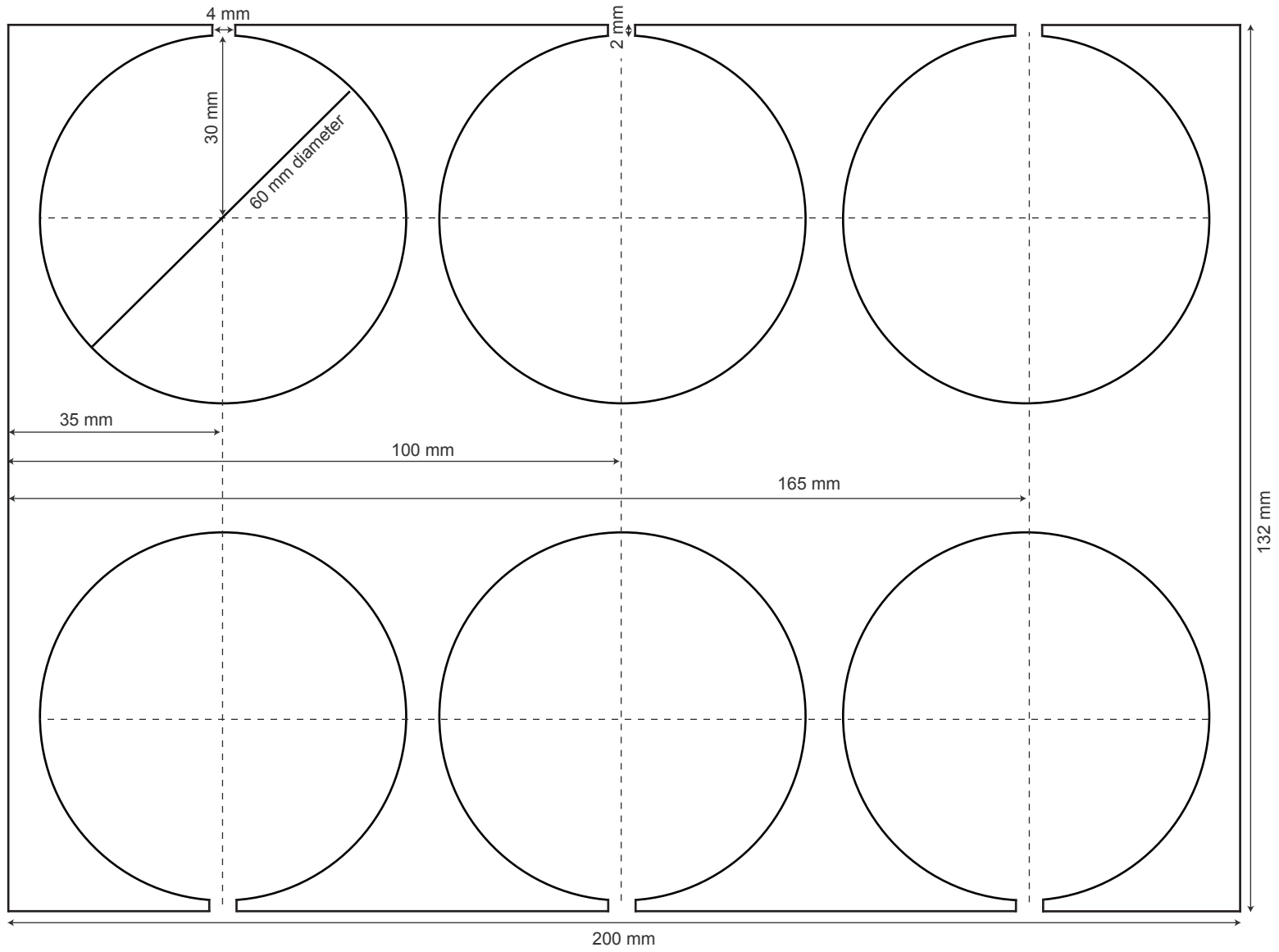
Assembly and drilling



Top Plate



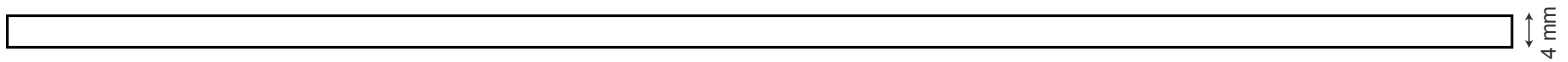
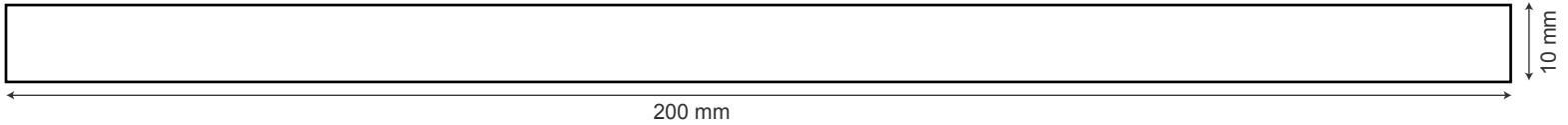
Middle Plate



Side view

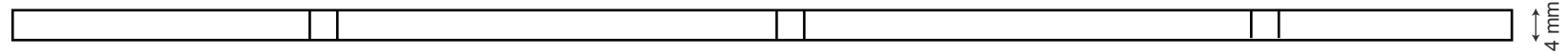
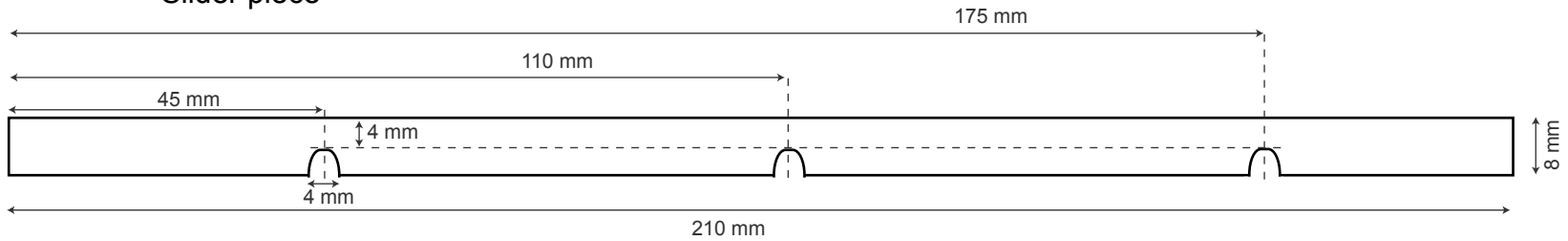
Middle Pieces (two of each)

Spacer piece



Side view

Slider piece



Side view

Bottom Plate

